

AASBC-141

1800 MHz | Same Band Combiner | AISG and DC Transparency

- 1800 MHz, same band combiner
- AISG and DC transparency
- Helps to minimize site acquisition issues
- Reduces the cost of network expansion

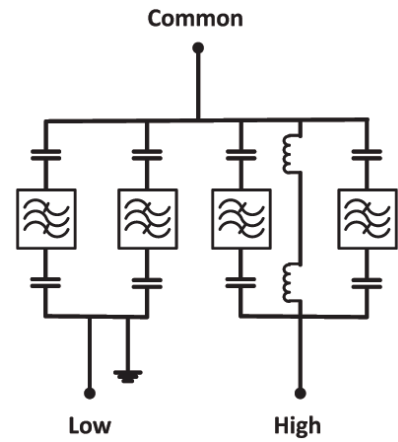
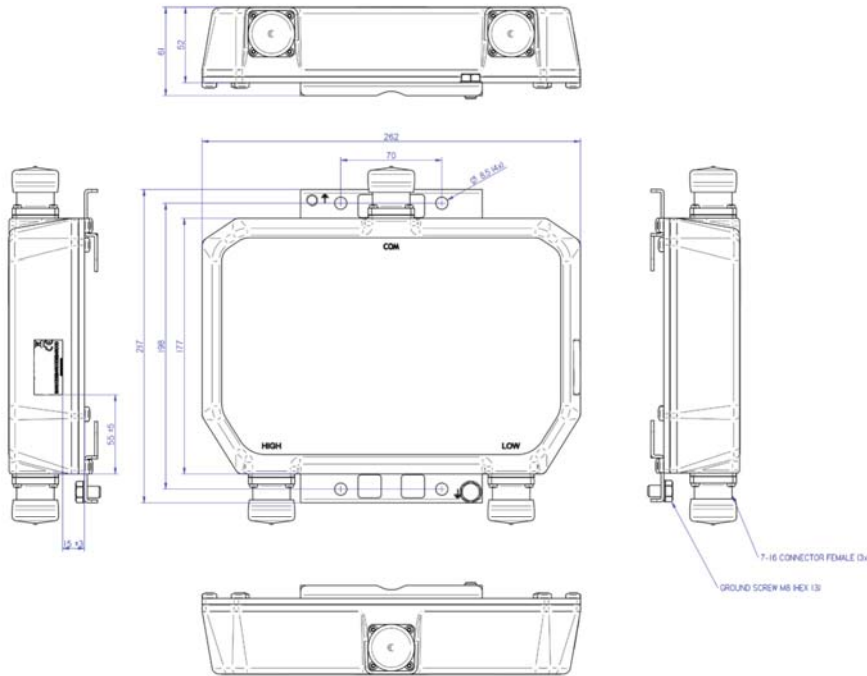
RF Characteristics			
Uplink (Rx) Path		Low	High
Frequency Band		1725-1740 MHz	1745-1755 MHz
Insertion Loss		< 0.8 dB	< 0.8 dB
Downlink (Tx) Path		Low	High
Frequency Band		1820-1835 MHz	1840-1850 MHz
Insertion Loss		< 1.0 dB	< 1.0 dB
Insertion Loss -Occupied Band Width		< 0.8 dB (+25C, 1820.5-1835.5 MHz)	< 0.9 dB (+25C, 1840.5-1849.5 MHz)
Continuous Average Power	Average (53 dBm)	200 W	
	Peak (57 dBm)	500 W	
Intermodulation (2x43 dBm TX carrier, BTS Port)		-160 dBc	
All Bands			
Return Loss		18 dB	
Isolation Between Node B Ports	at Rx Frequency	20 dB	
	at Tx Frequency	35 dB	
Power Supply			
AISG Signal Attenuation at 2.176 MHz		< 1 dB	
Voltage Drop (maximum at 10-30 VDC)		1 V	
Supply Voltage Handling		0-32 VDC	
Continuous Current Handling		5A, 0-32 VDC	
AISG / DC Transparency Between Ports		High to Common	
Environmental Characteristics			
Operating Temperature Range		-20° to +65° C (-4° to +149° F)	
Operation		ETS 300 019-1-4 Class 4.1E	
Storage		ETS 300 019-1-1 Class 1.2	
Ingress Protection		IP67	
EMC		EN 301 489-8	
Safety Standards		EN 60950	
MTBF		1.5 M hours	
Lightning Protection		3 kA 10/350 μs, 10 kA 8/20 μs	

Quoted performance parameters are provided to offer typical, peak or range values only and may vary as a result of normal testing, manufacturing and operational conditions. Extreme operational conditions and/or stress on structural supports is beyond our control. Such conditions may result in damage to this product. Improvements to products may be made without notice.

AASBC-141

1800 MHz | Same Band Combiner | AISG and DC Transparency

Mechanical Characteristics		
Colour	NCS 1502-R	
Dimensions - Length x Width x Depth	262 x 177 x 55 mm	10.3 x 7.0 x 2.2 in
Weight	4 kg	8.8 lbs
Connectors	(3x) 7/16-DIN Female	
Mounting Characteristics		
Pole / Wall Bracket	Two metal clamp for pole mount included	
Dimensions		Block Diagram



Quoted performance parameters are provided to offer typical, peak or range values only and may vary as a result of normal testing, manufacturing and operational conditions. Extreme operational conditions and/or stress on structural supports is beyond our control. Such conditions may result in damage to this product. Improvements to products may be made without notice.